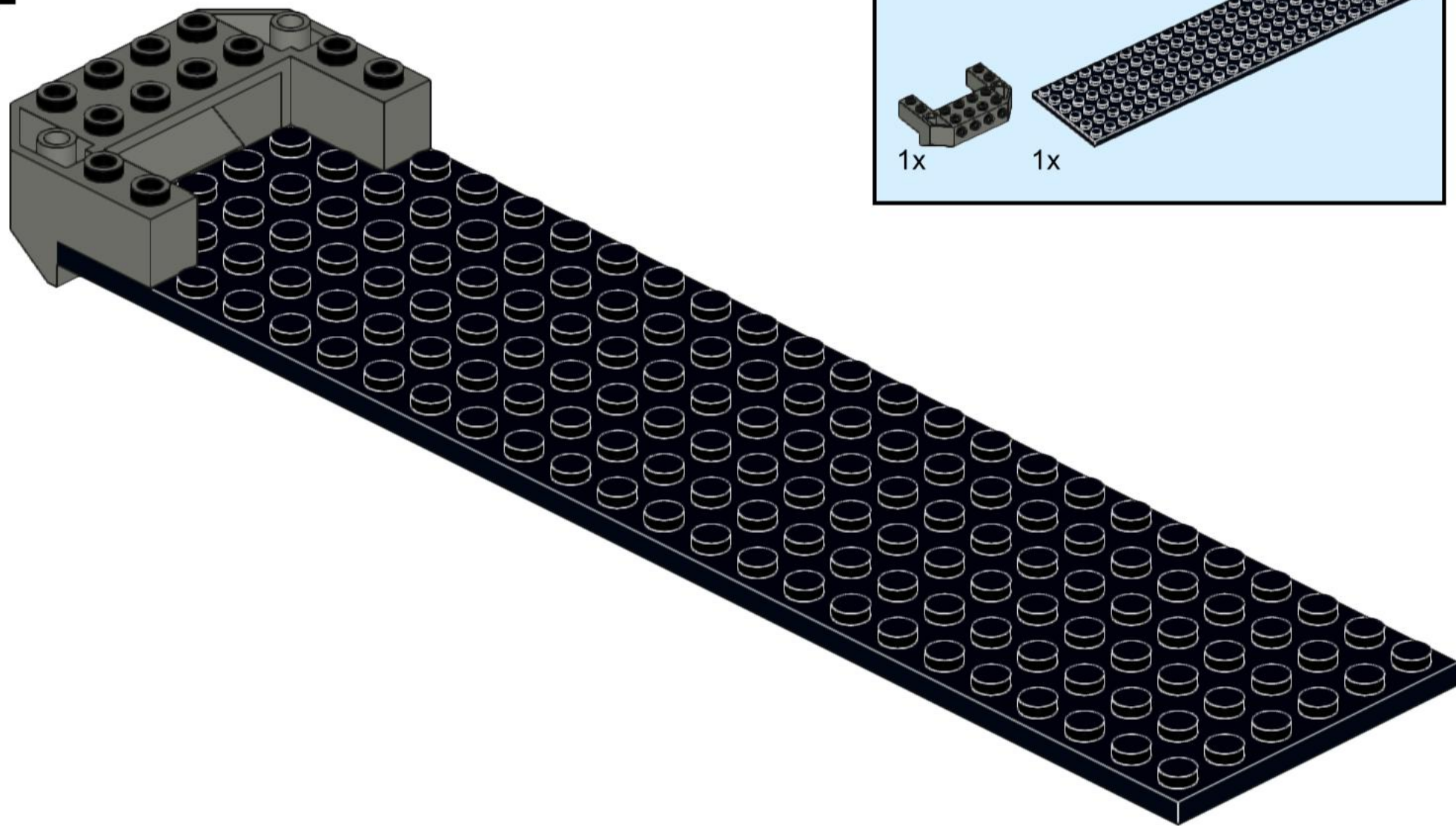
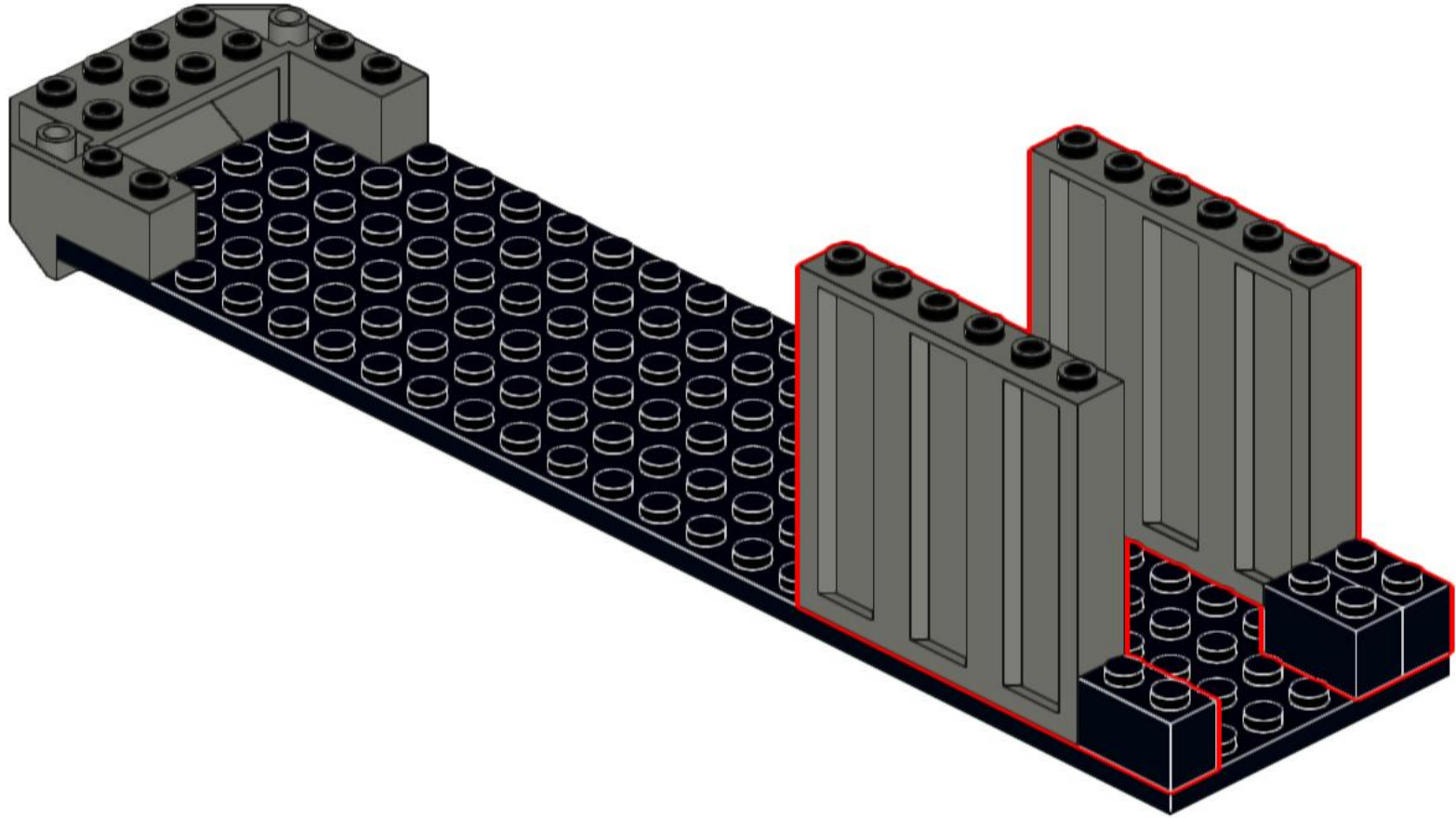
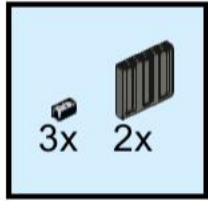










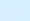
1

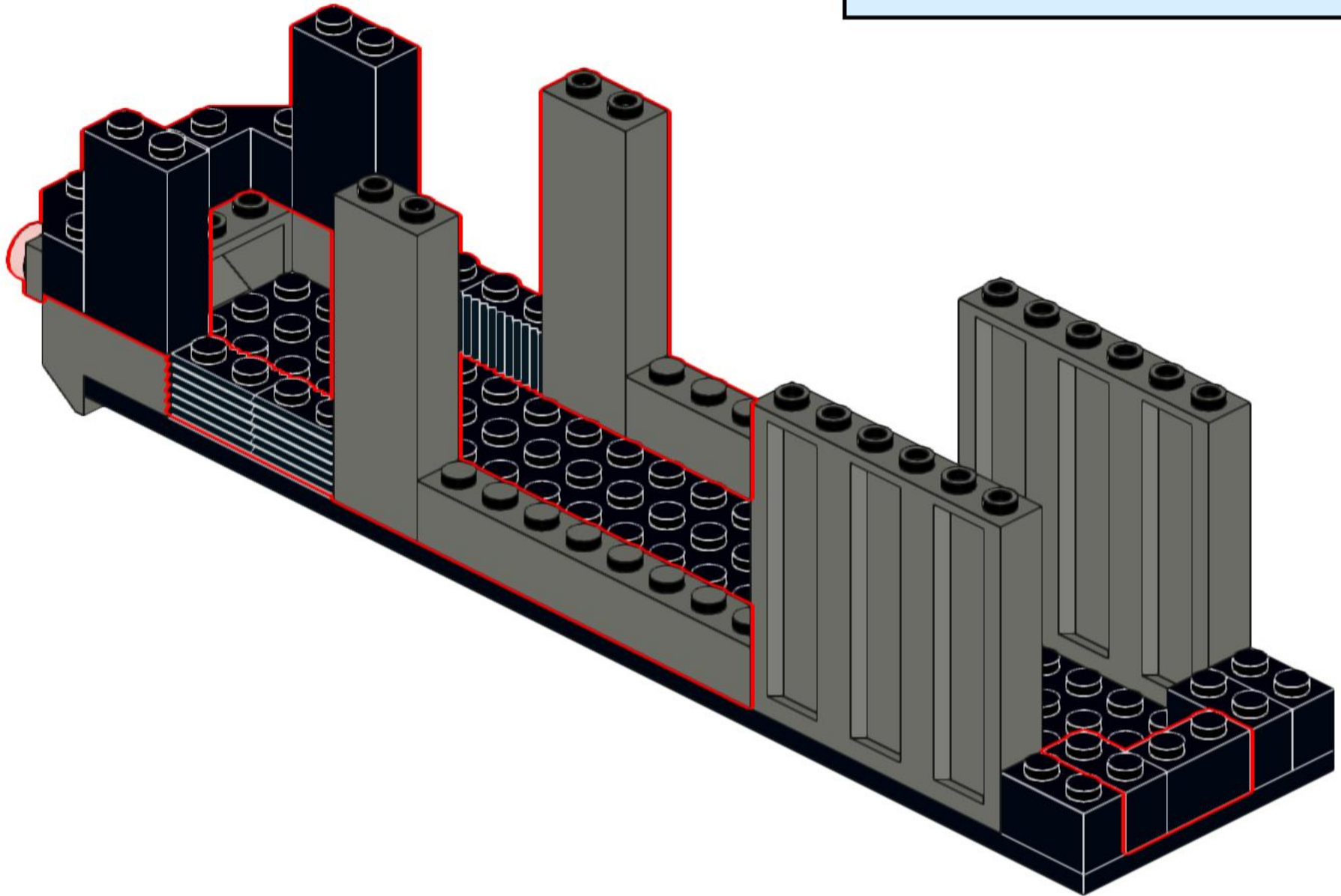


2



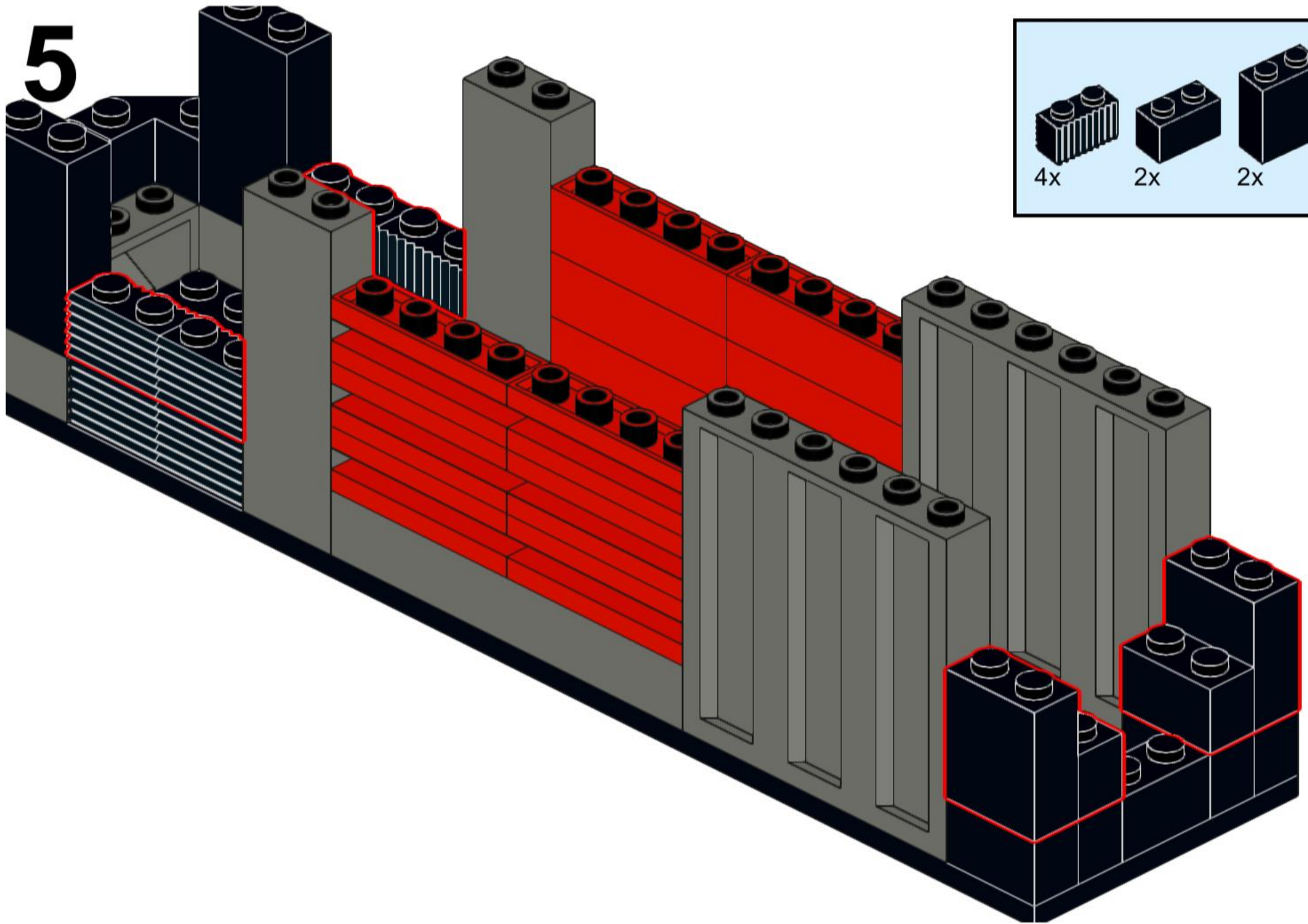
# 3

- 2x 
- 2x 
- 1x 
- 4x 
- 3x 
- 2x 
- 2x 
- 2x 
- 2x 

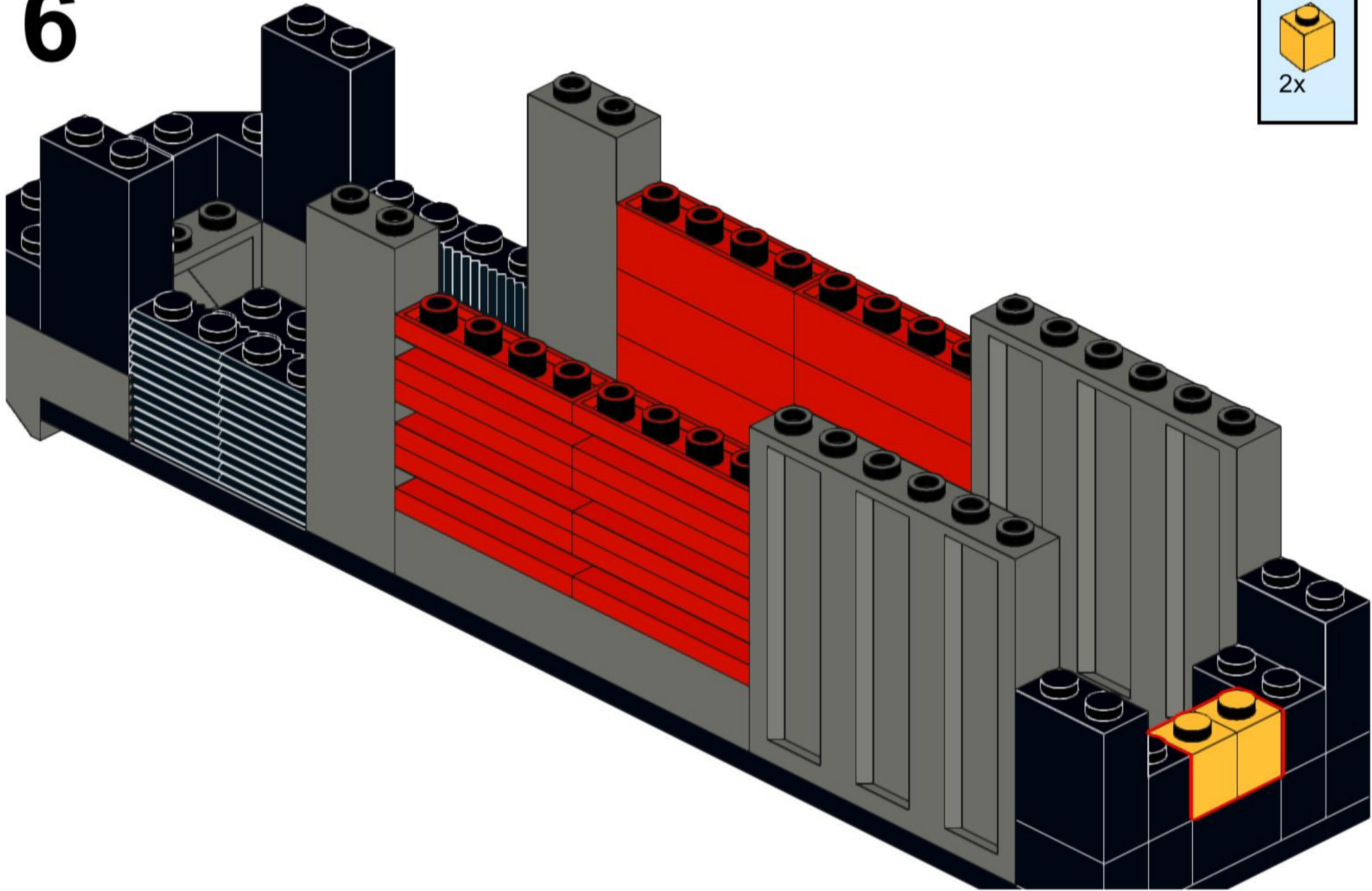
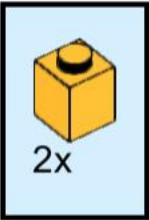




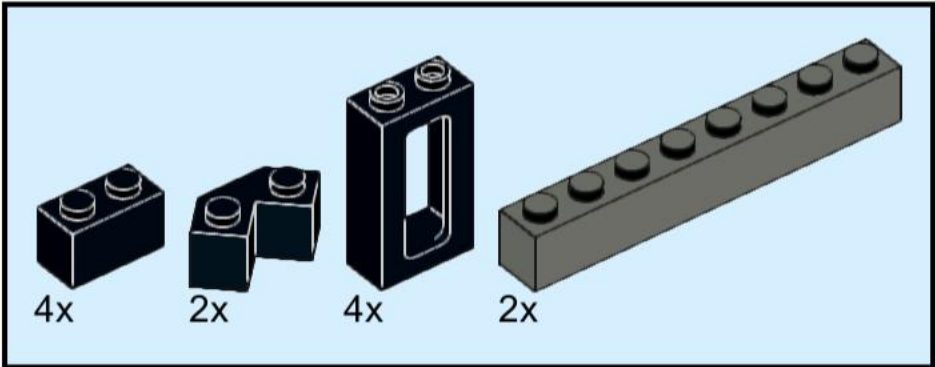
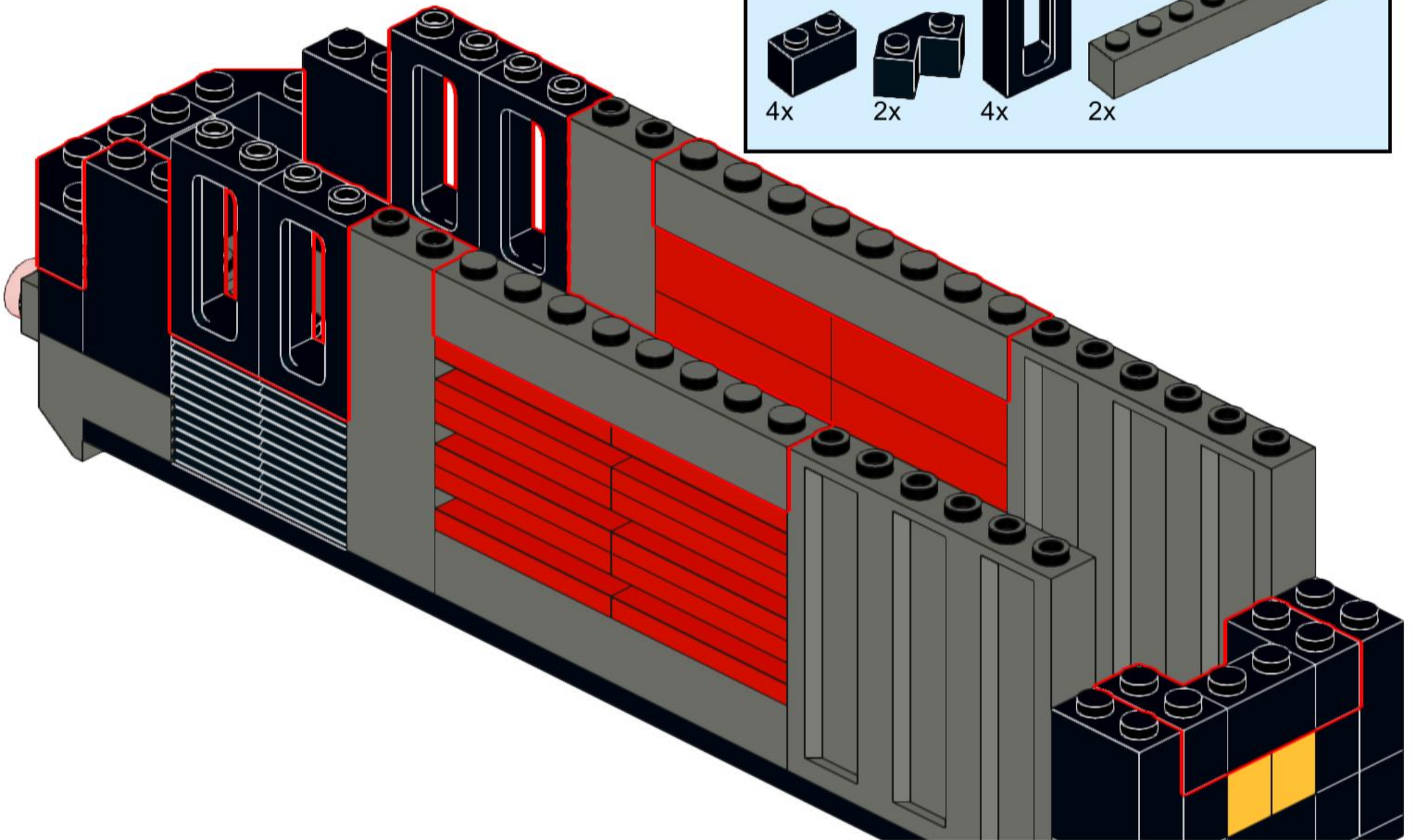
5



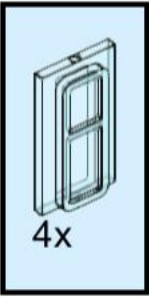
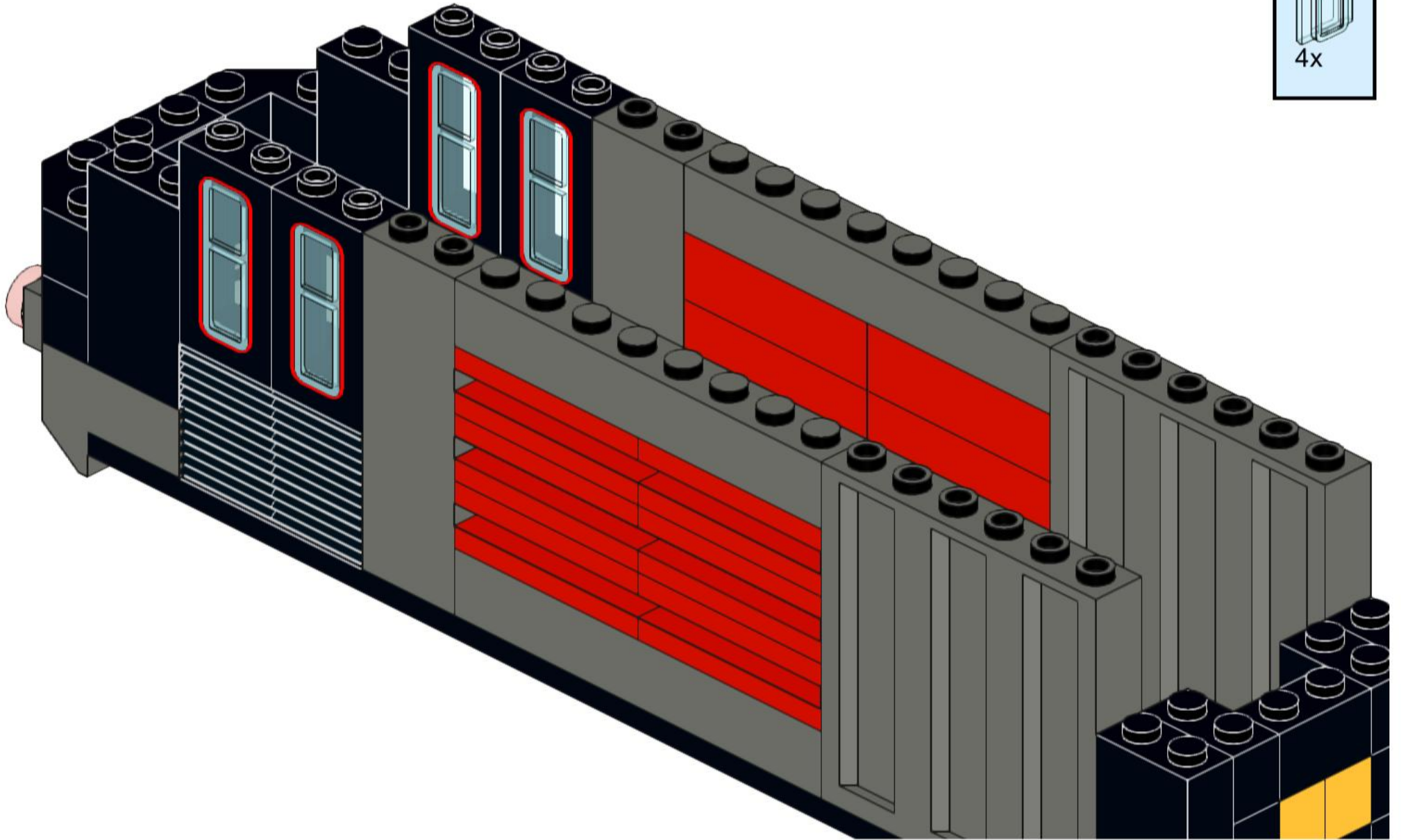
6



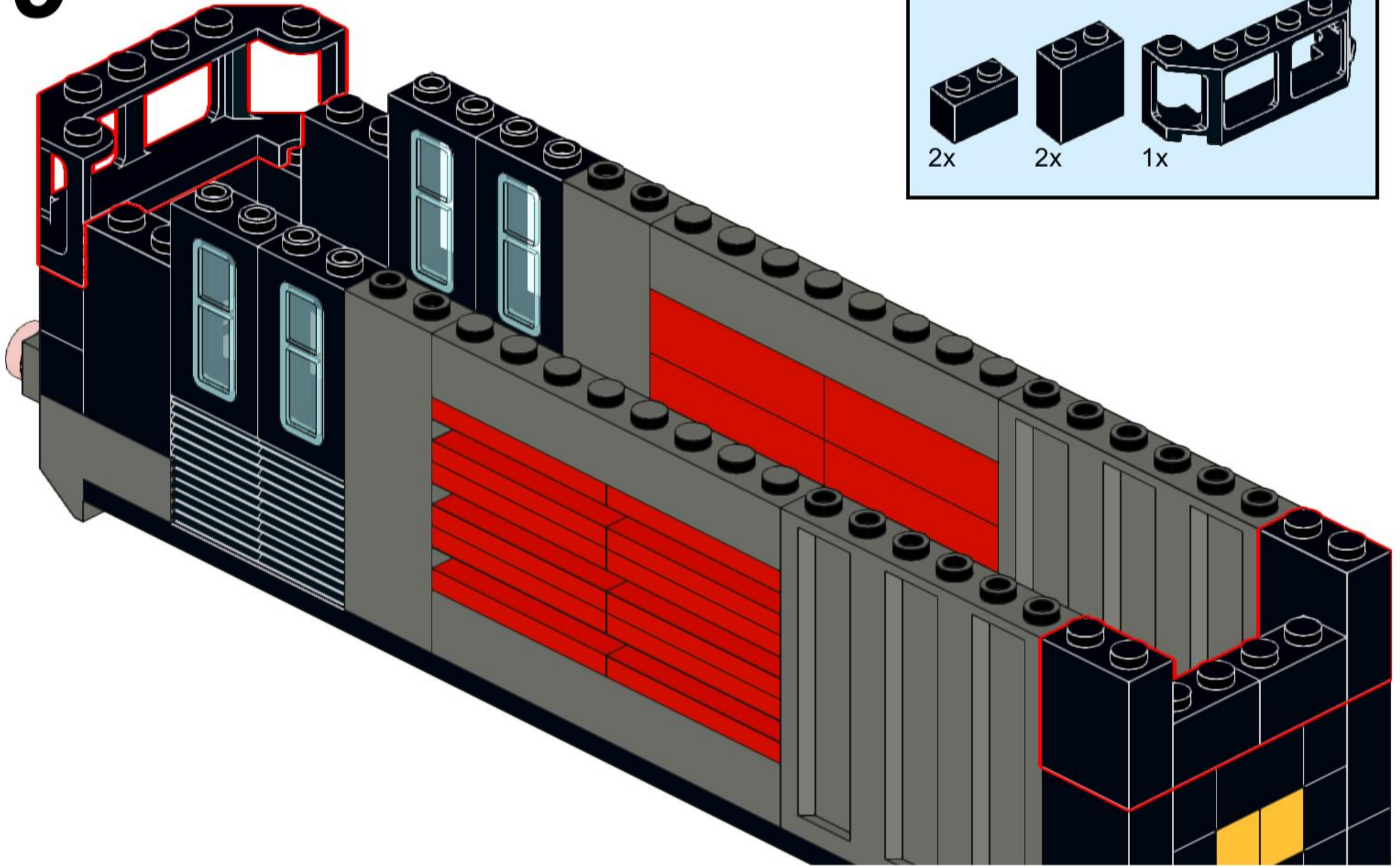
7



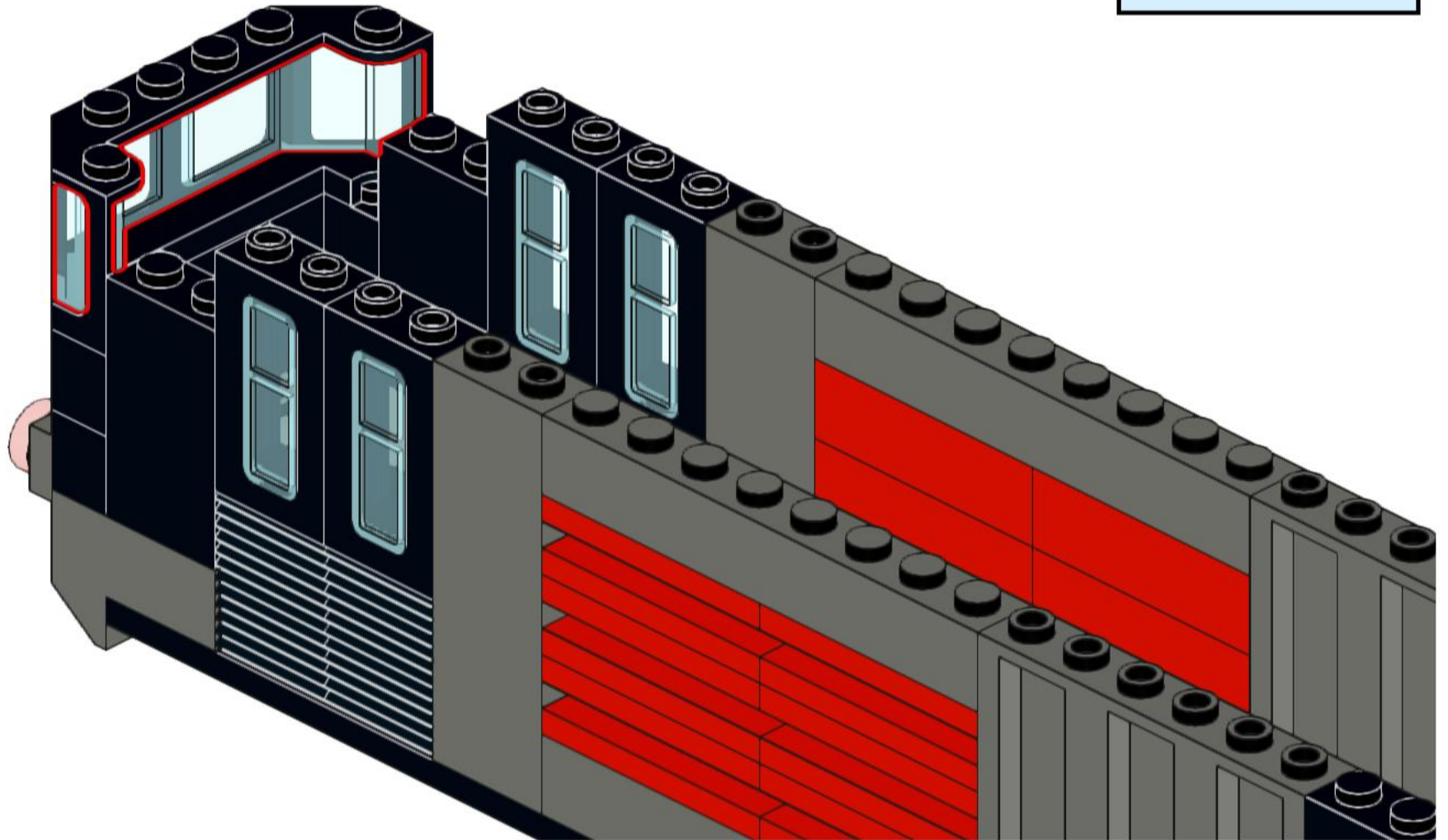
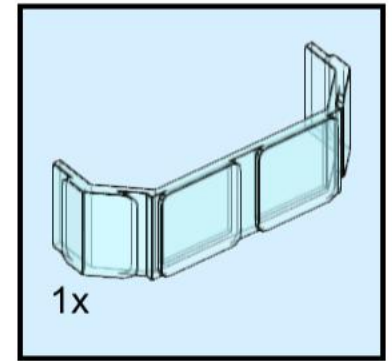
8



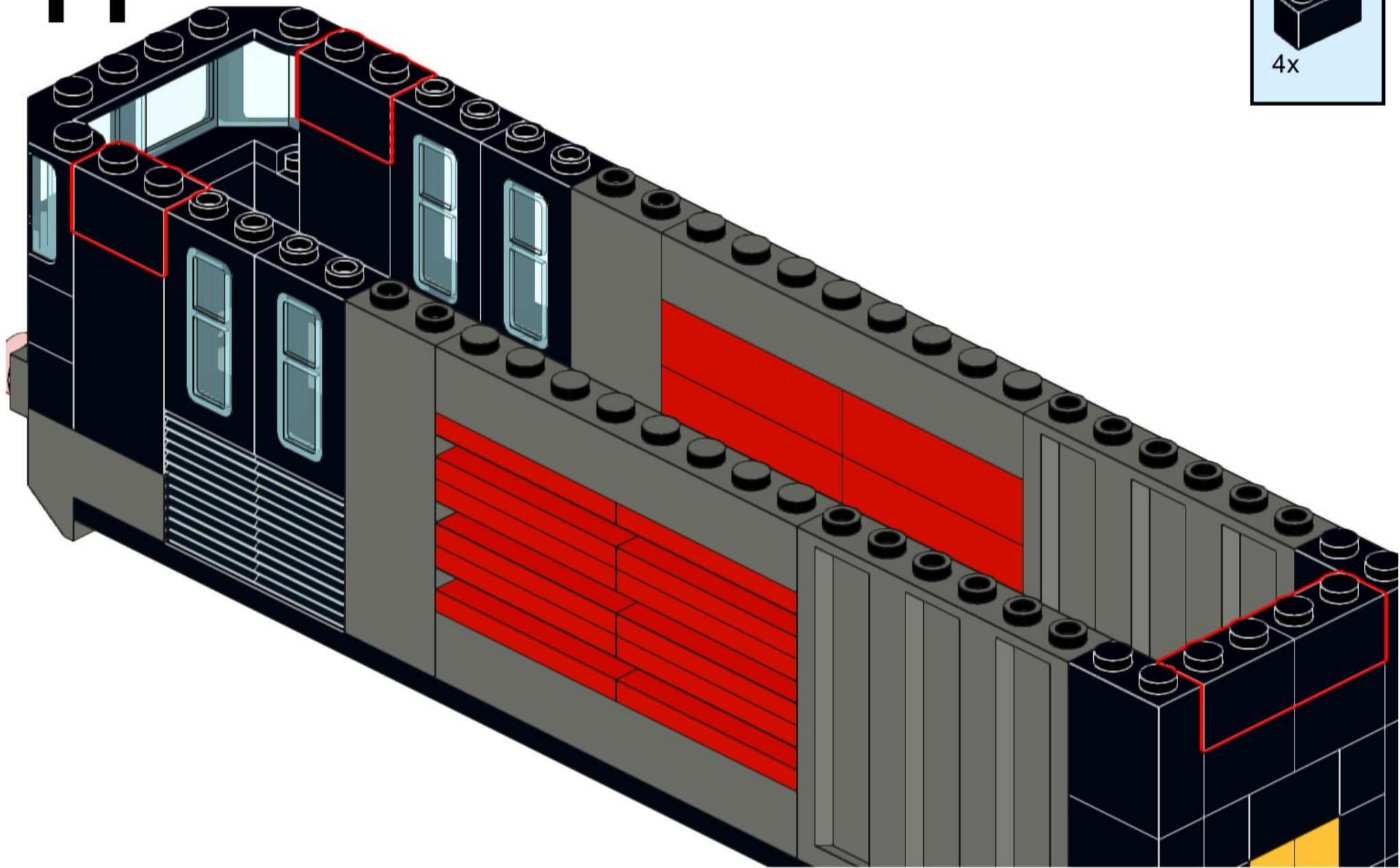
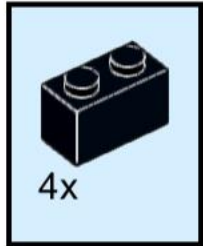
9



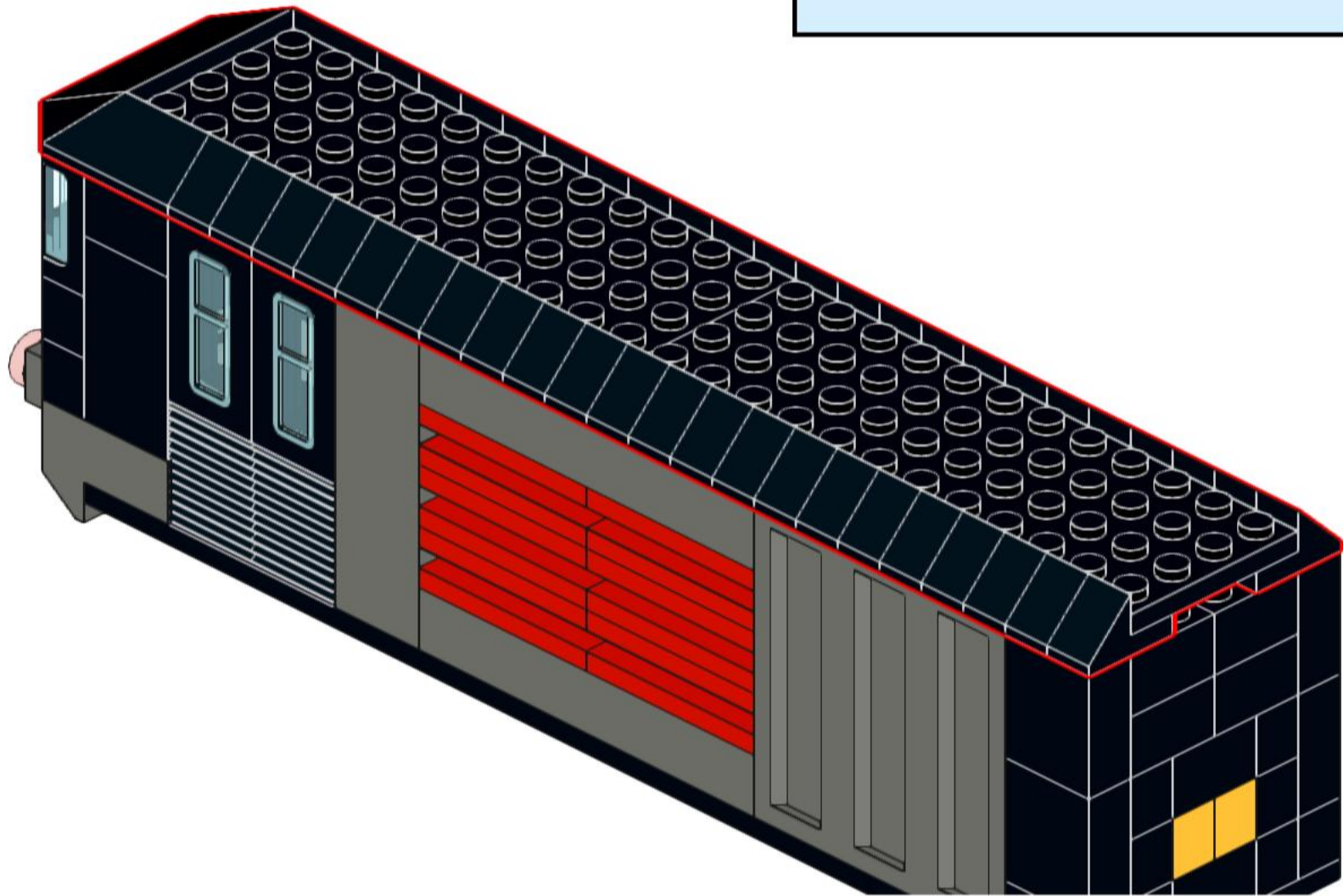
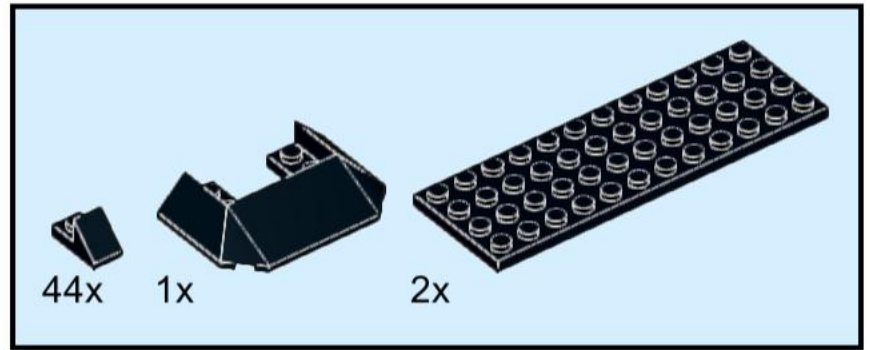
# 10



11



# 12



# 13

