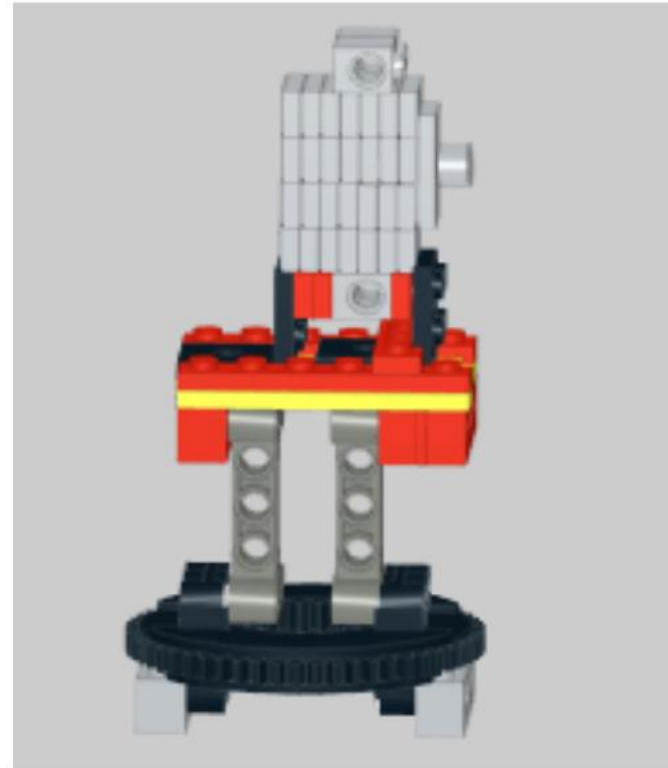
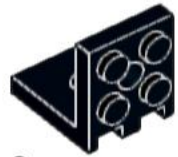


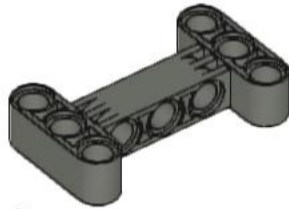
Robot Arm Instructions for version with the Rounded Base on turntable

PART ONE





2x
3956
Black



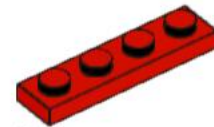
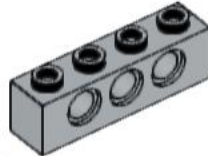
2x
14720
Dark Bluish Gray



3x
3023
Red

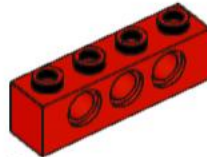


1x
48452
Black

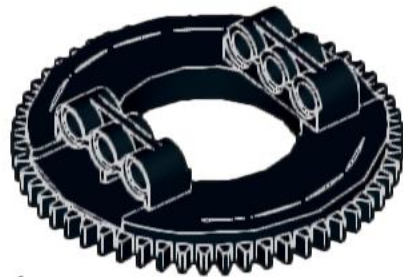


1x
3710
Red

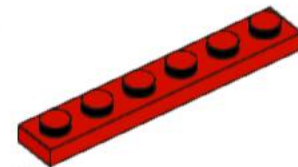
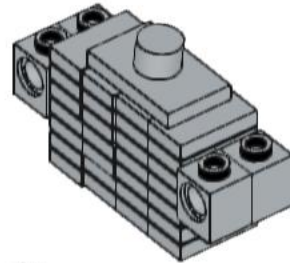
2x
3701
Light Bluish Gray



3x
3701
Red



1x
48168
Black

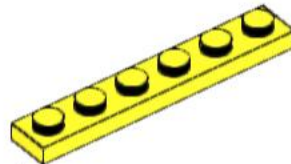


2x
3666
Red

1x



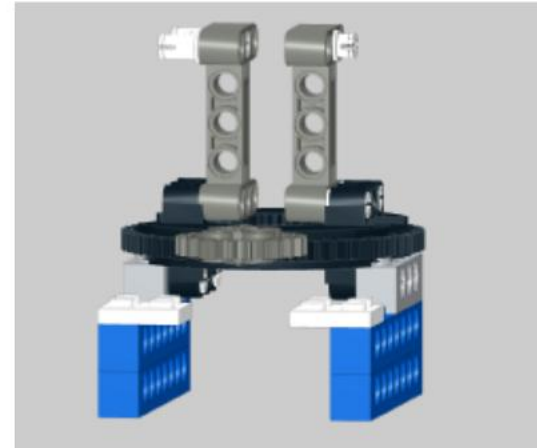
13x
32002
White



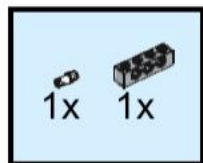
4x
3666
Bright Light Yellow

Please note that the turntable connection on this instruction is rounded. This is the newest turntable. The older turntables are square and can connect directly to a base. Unfortunately the square connections are hard to obtain. If your version is the square version you will need to look at the PDF Arm Square Turntable fixing PDF

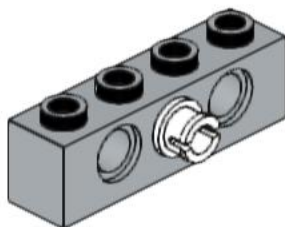
Bricks 3701 requires the studs to be sanded down order for them not to collide with the turntable . A light sanding does the trick



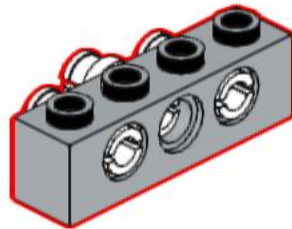
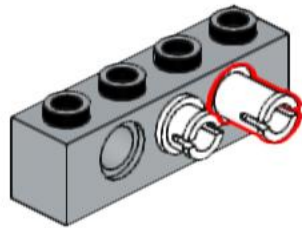
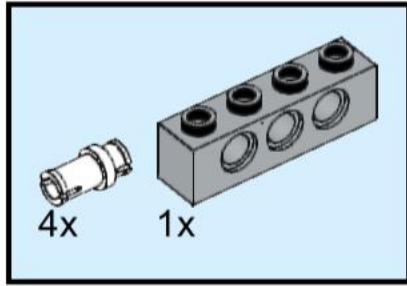
1



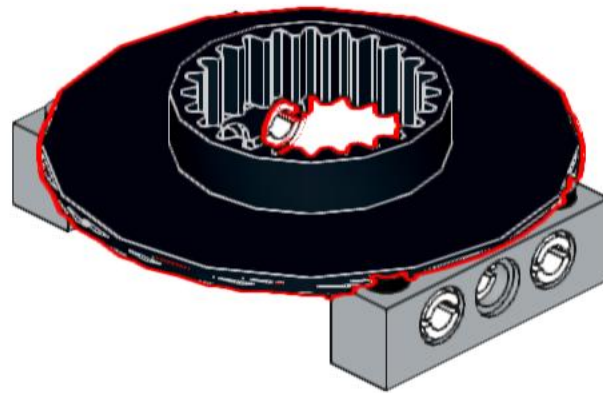
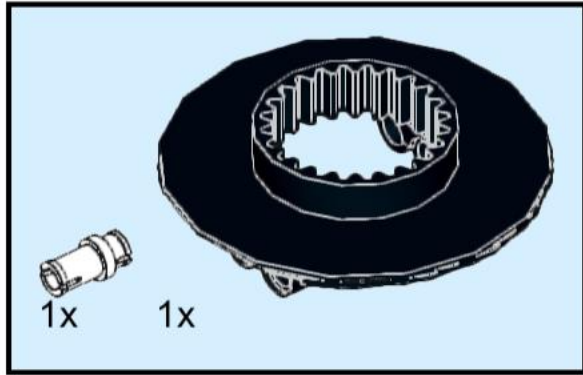
First Sand of the lugs
to stop this part
rubbing up against
the underside of the
turntable



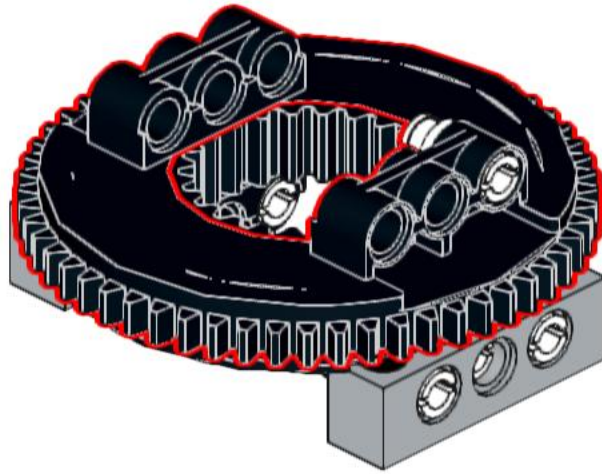
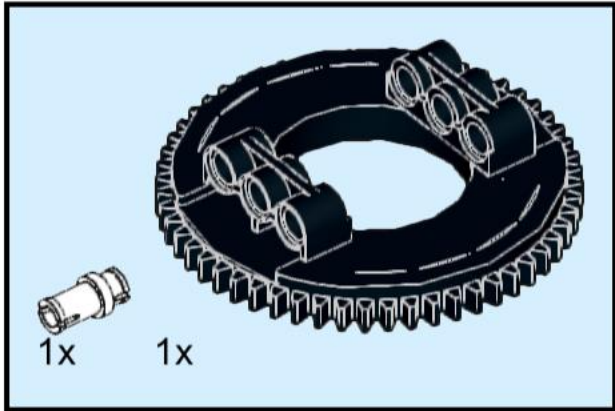
2



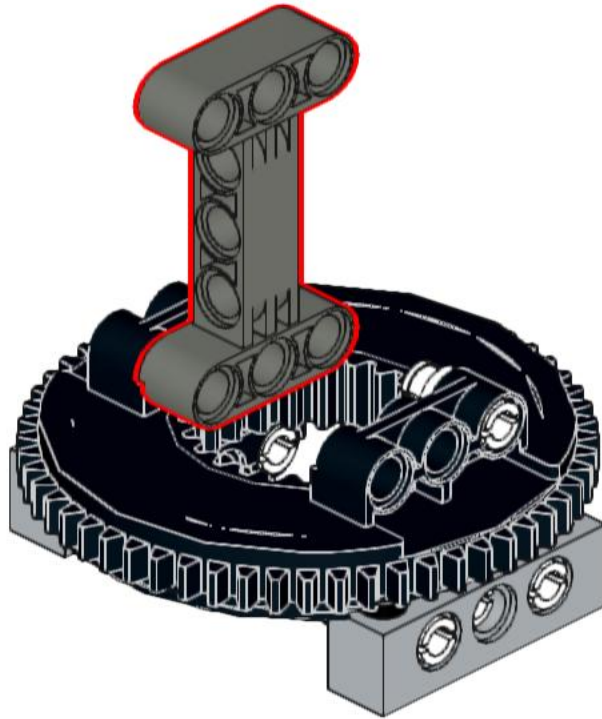
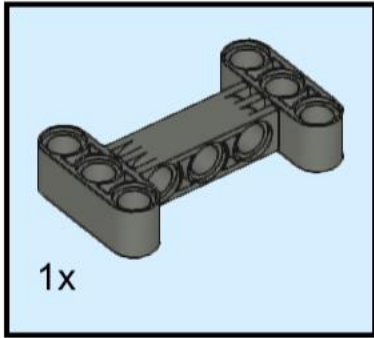
3



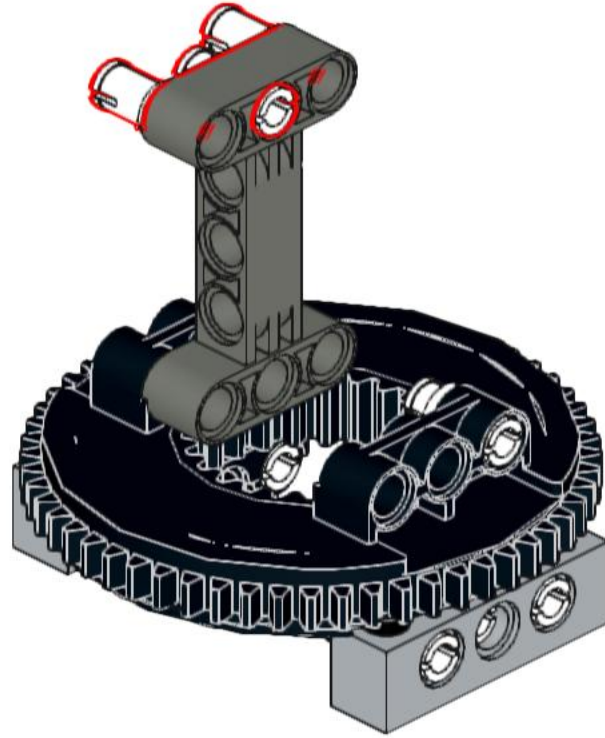
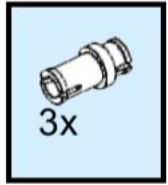
4



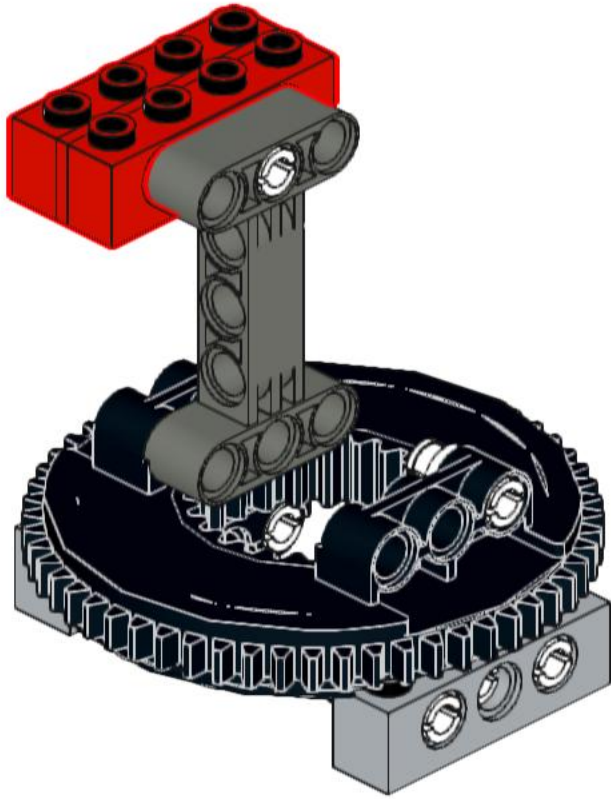
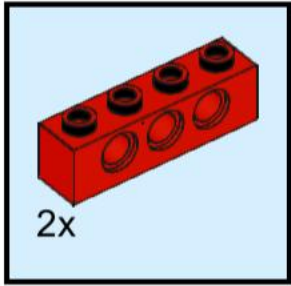
5



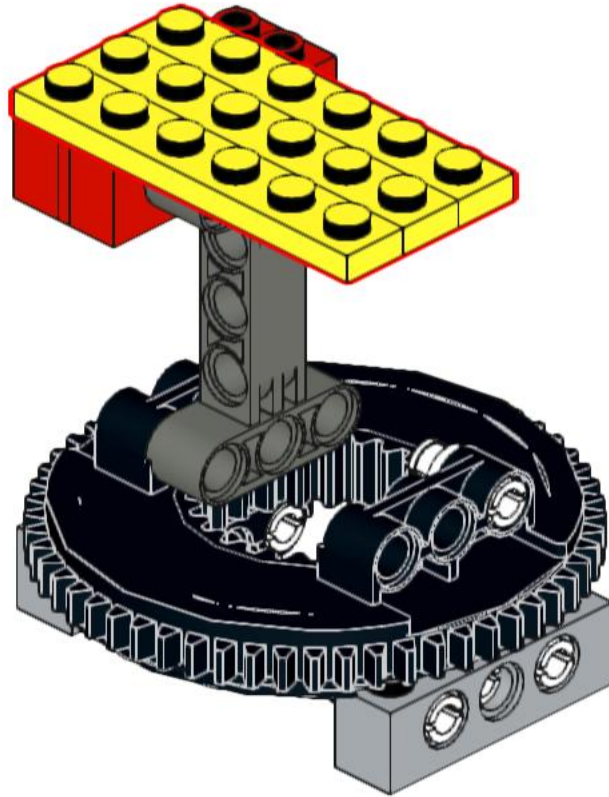
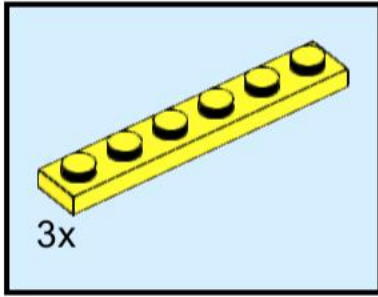
6



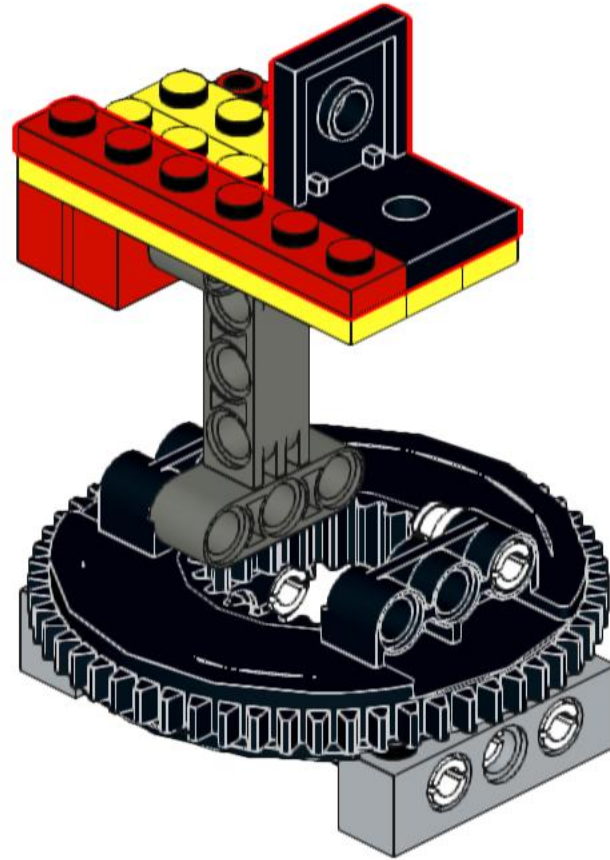
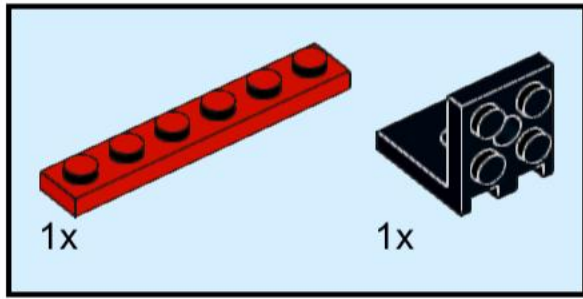
7



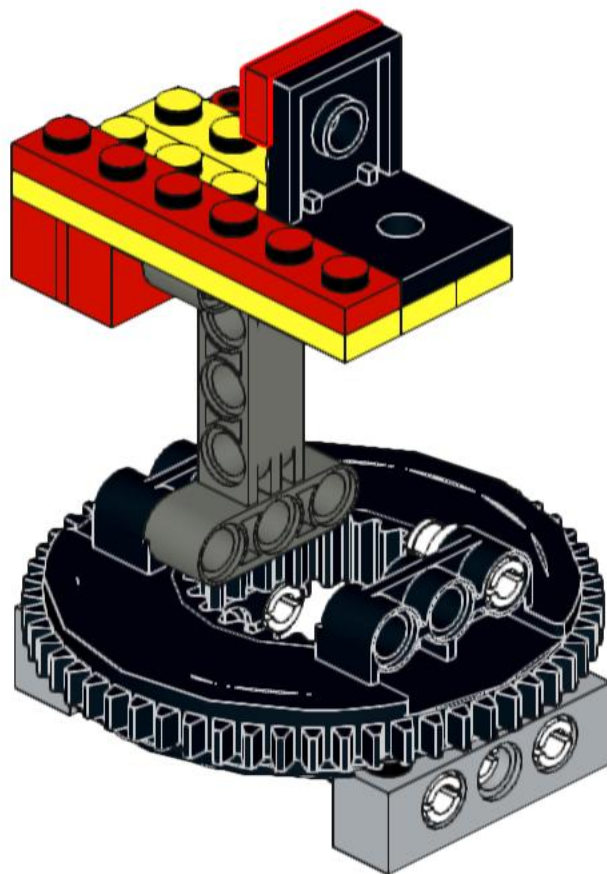
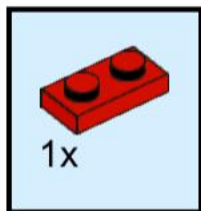
8



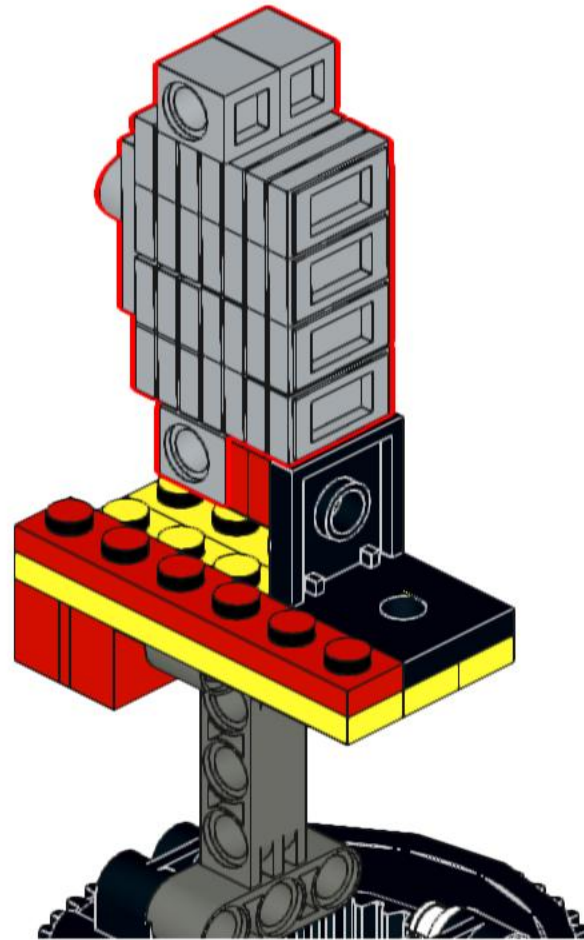
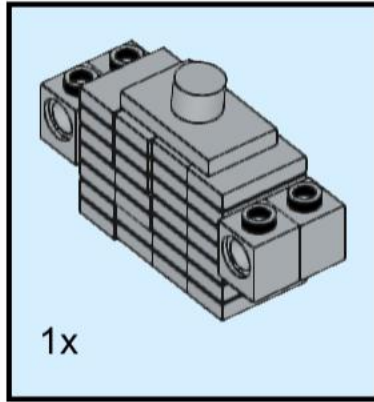
9



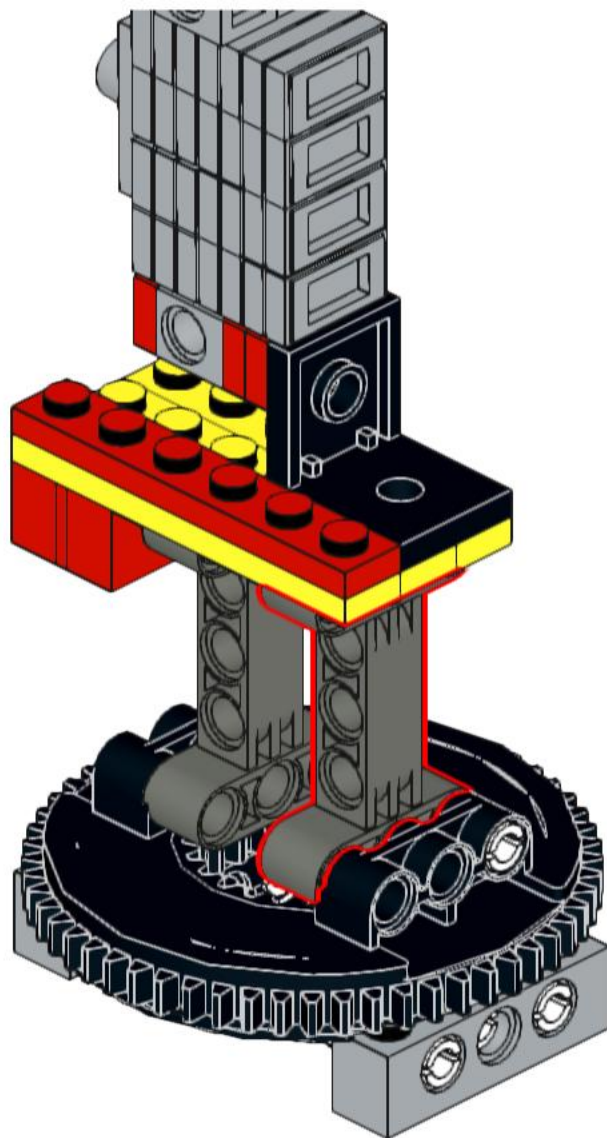
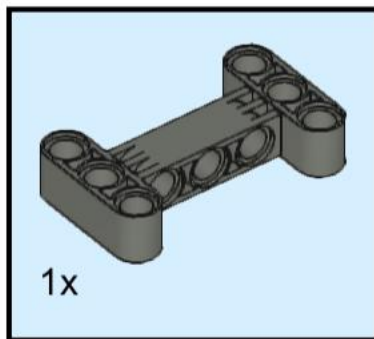
10



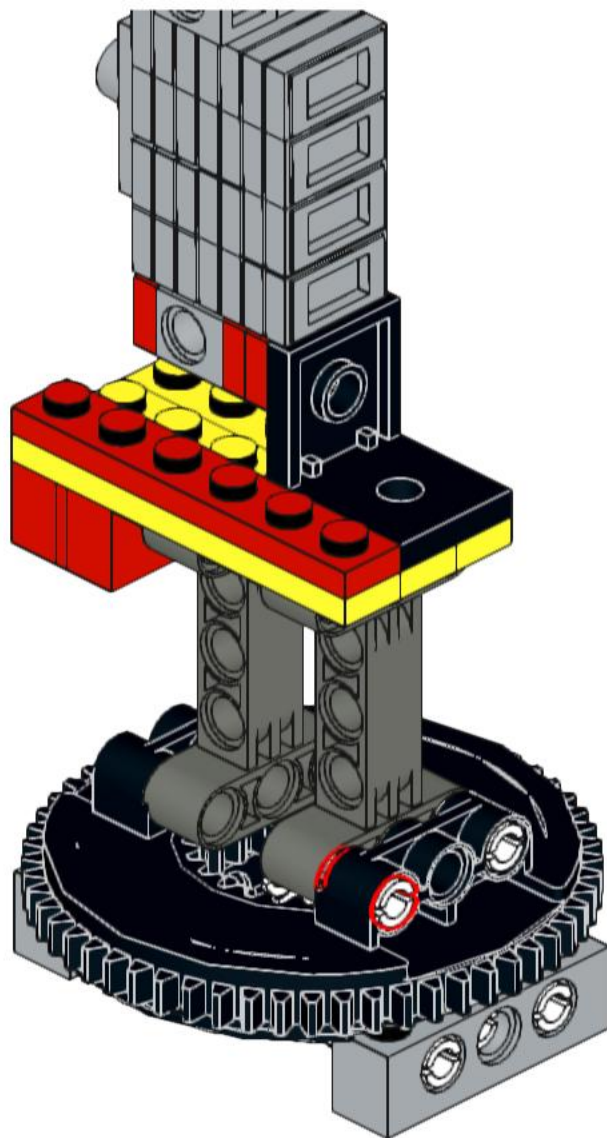
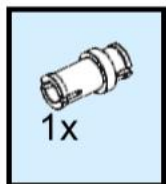
12



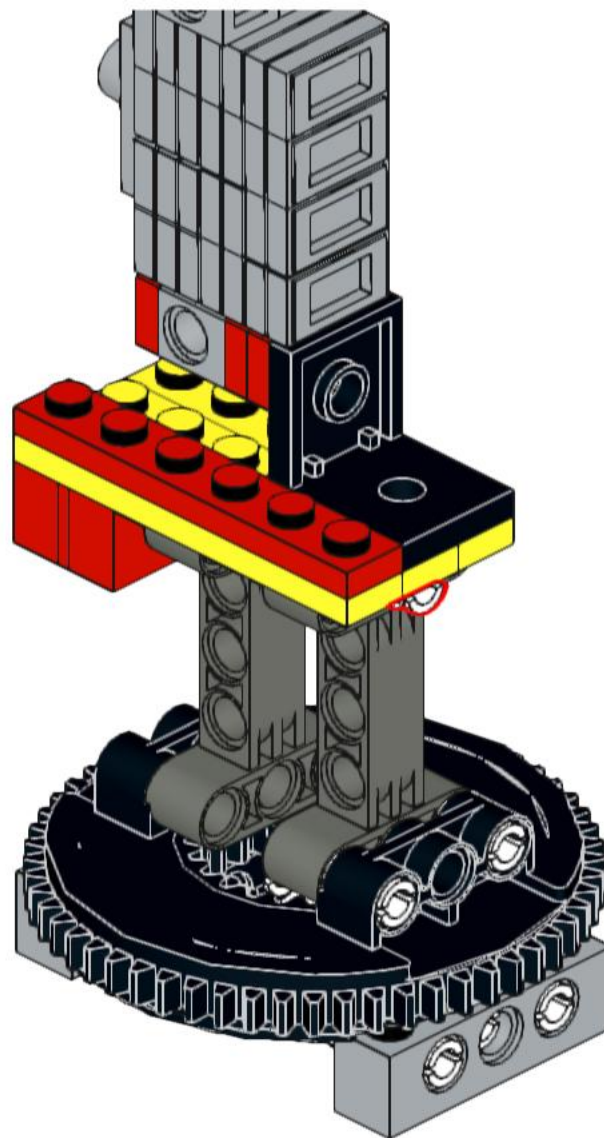
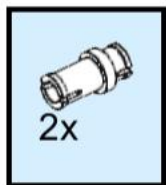
14



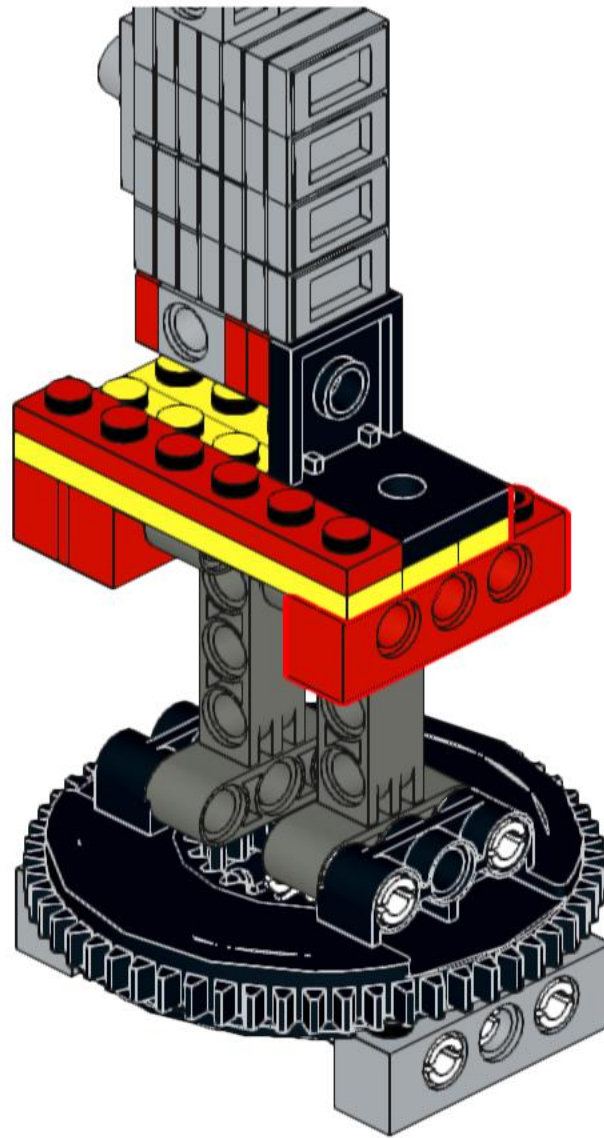
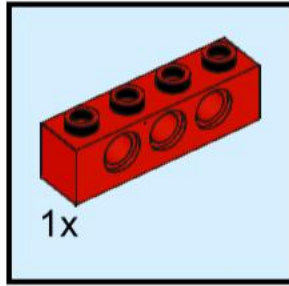
15



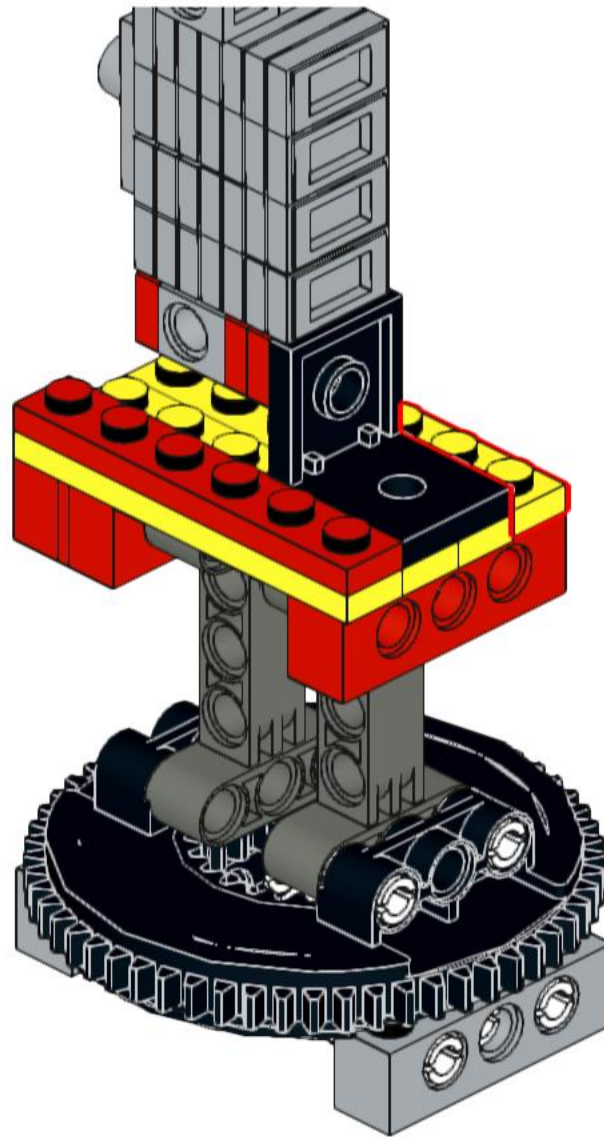
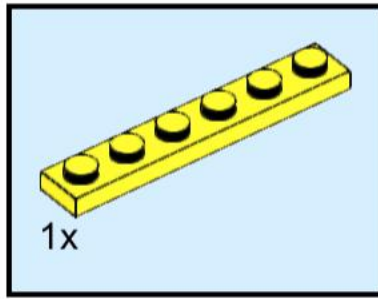
16



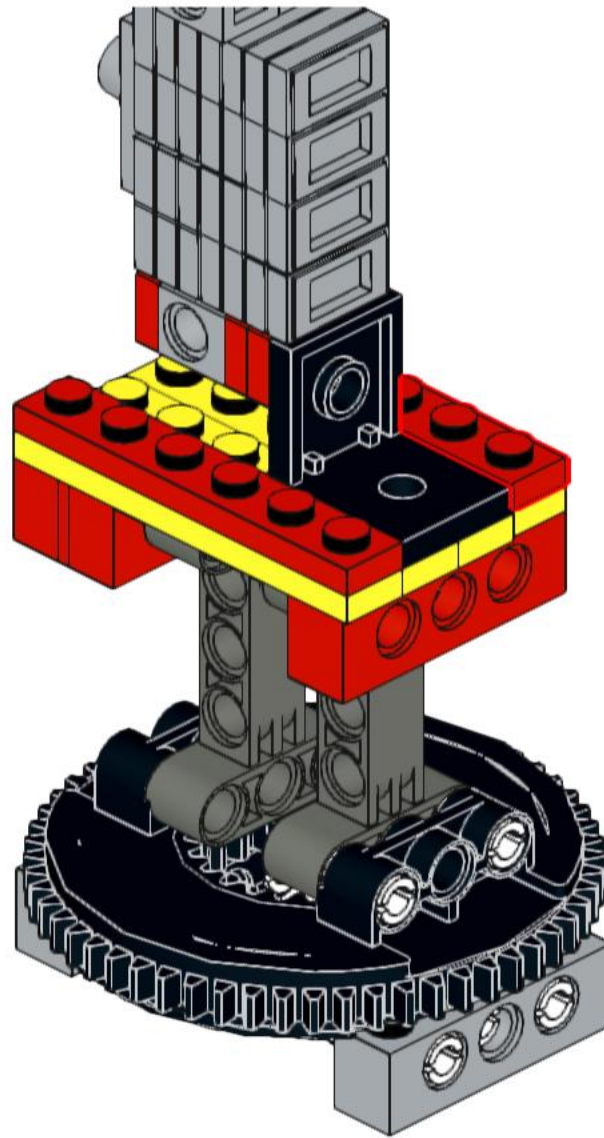
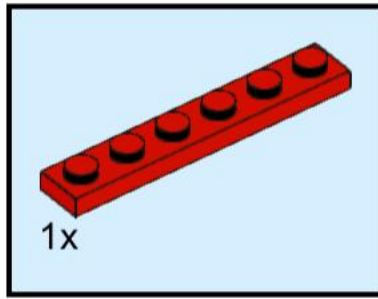
17



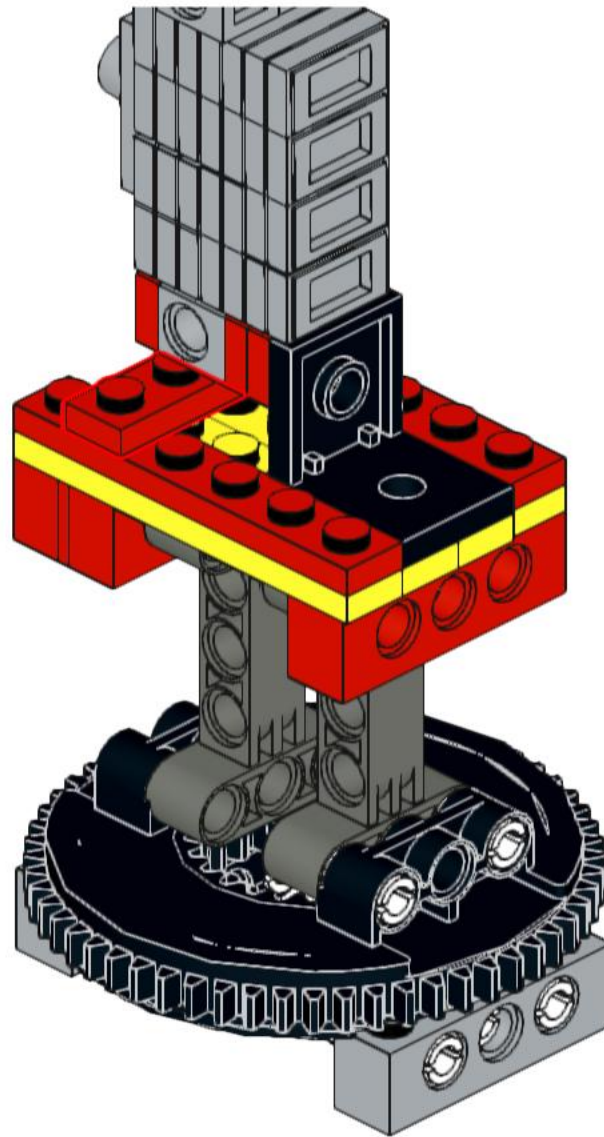
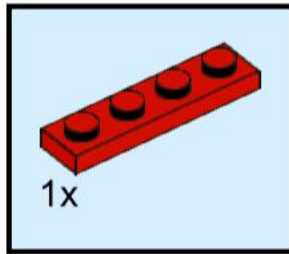
18



19



20



21

